

ASSEMBLING OF BED

INSTRUCTIONS

1. When fixing the side-rail to footboard or headboard make sure that:

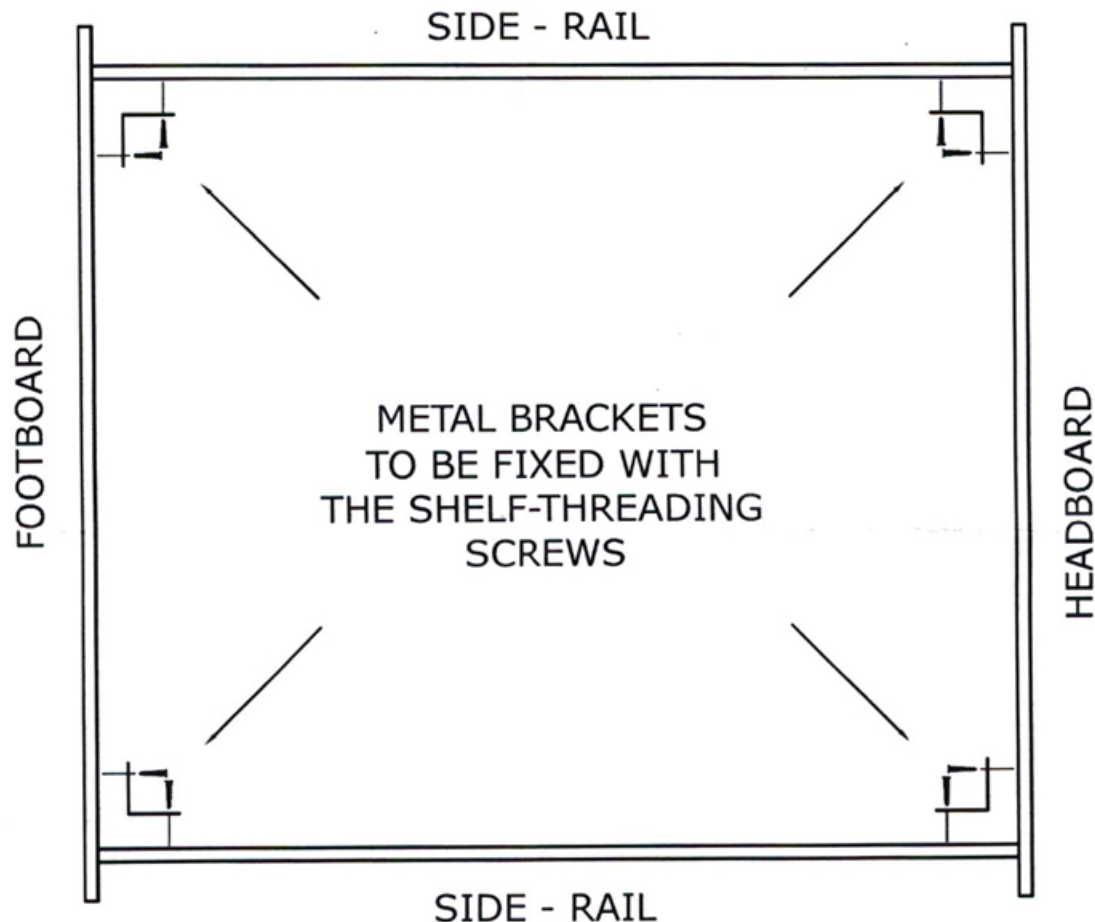
a) the side-rail is properly held so that the 2 dowels and the middle bolt are completely pushed into the holes.

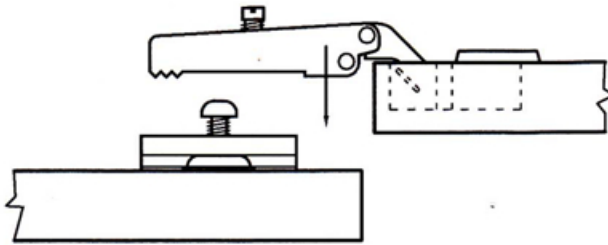
b) The central bolt is tightened before moving the headboard or footboard.

IMPORTANT: when fixing the side rails to headboard and footboard do not tighten too much otherwise the panel will be damaged. Use metal brackets to fix everything properly.

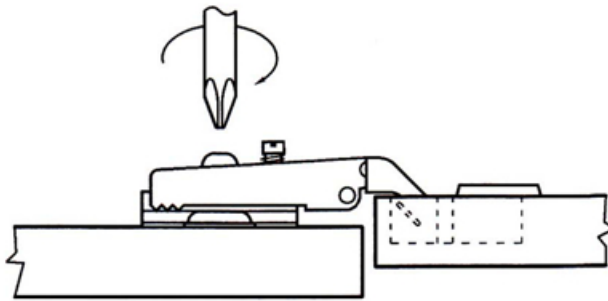
2. Fix the 4 metal brackets (see drawing) using the self-threading screws (there are no holes on the panel) included in the hardware.

IF YOU DON'T COMPLY WITH ABOVE INSTRUCTIONS THE SIDE-RAILS MAY COME OFF THE PANEL AND BREAK IT!

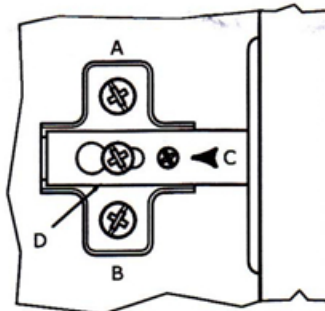
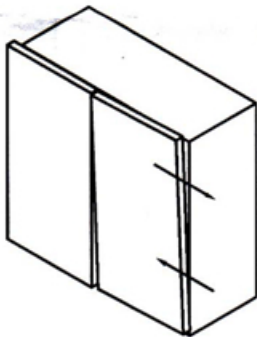




INSERT THE DOOR HINGES OVER THE PLAQUE
ALREADY FIXED ON THE SIDE PANELS AND PARTITION

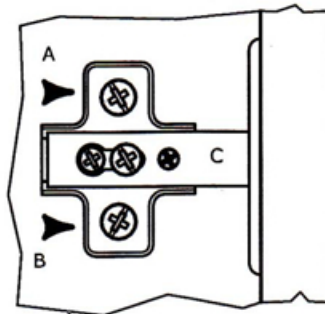
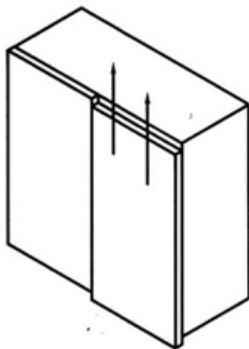


NOW FIX THE HINGES WITH THE SCREW



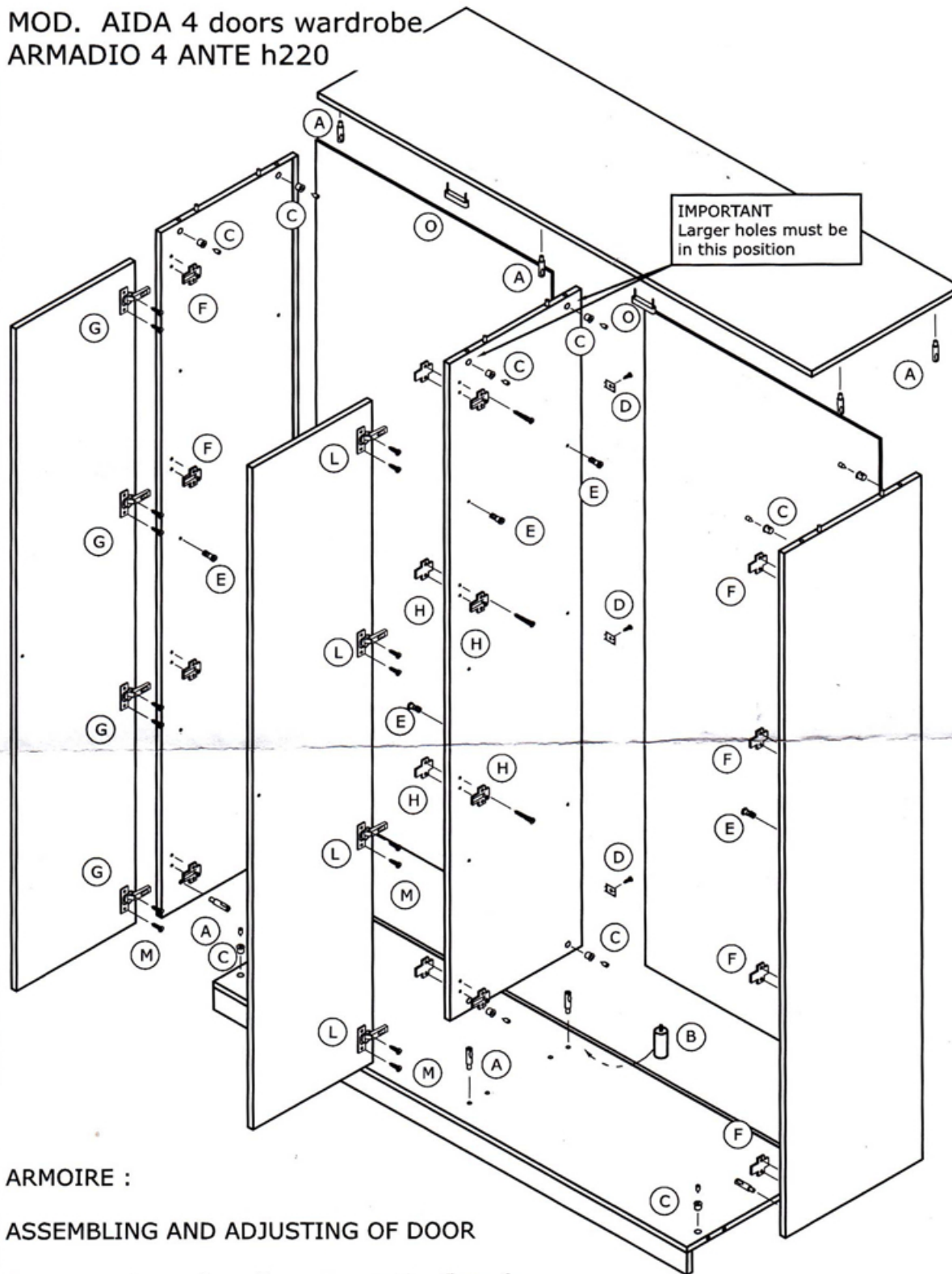
DOORS ADJUSTMENT

EXAMPLE 1
TO ADJUST THE DOORS OPERATE ON THE
SPECIAL SCREW (C)



EXAMPLE 2
UNSCREW THE SCREWS (A+B) AND ADJUST
THE DOORS IN THE RIGHT POSITION

MOD. AIDA 4 doors wardrobe
ARMADIO 4 ANTE h220



ARMOIRE :

ASSEMBLING AND ADJUSTING OF DOOR

- A - Lay a piece of cardboard over the floor for protection of shining surfaces.
- B - Join side panels and dividing panel to the base see hardware(A), (B), (C) for the proper pegs and eccentrics.
- C - Slide back panels along the pre-grooved sides.
- D - First fix the top and then fix back panels with metal brackets(D).
- E - Fix shelves with their shelf supports(E).
- F - Fix doors with hinges as per drawing and adjust them as per instructions.
- G - Fix door stoppers (O).

