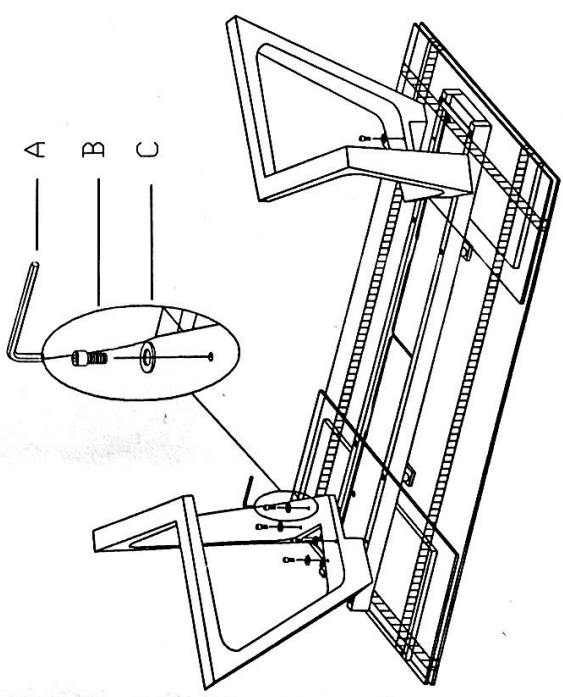


Keep the original package of the table top and do not open it until the legs are installed

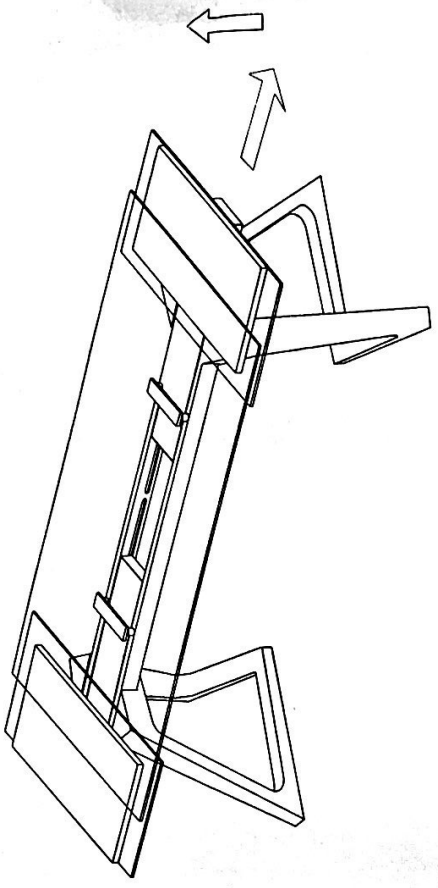
1. when moving the table, please must keep the extensions closed and lift the frame but not glass.
2. when opening the extensions: pull the extensions with two hands but not one hand; don't shake the extensions with your hands.

DESIGNED AND MANUFACTURED FOR "ELEVATE" INDIA

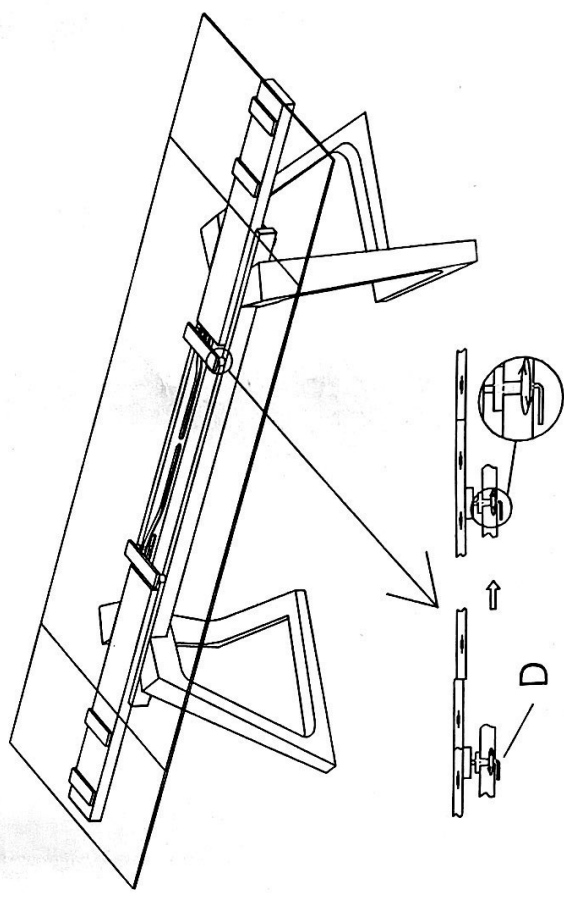
Step 1



Step 2



Finish



NO.	A	B	C	D
TYPE	6#	M8x40	Φ19xΦ8x1.5	8#
QTY	1 PC	8 PCS	8 PCS	1 PC

DT8811GW