

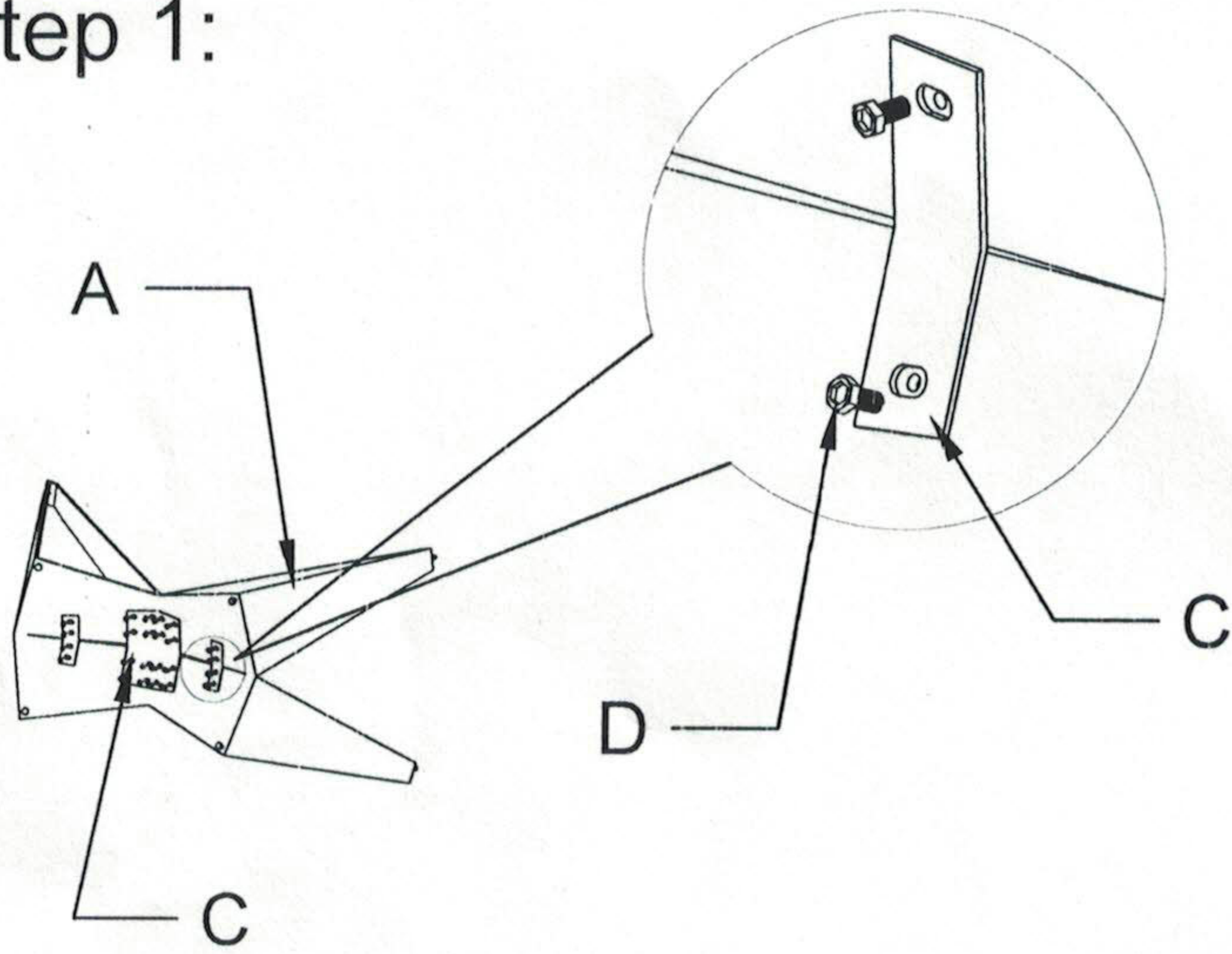
ASSEMBLY INSTRUCTION

Model: T102C

Model:Dining Table

Thank you for purchasing this quality product, be sure to check all the packing materials carefully. When you received, please pay attention to the products, which may cause deformed during the shipment.

step 1:



Hold the Fixed plate(C) and Stainless steel pillar (A) by Screw (D)

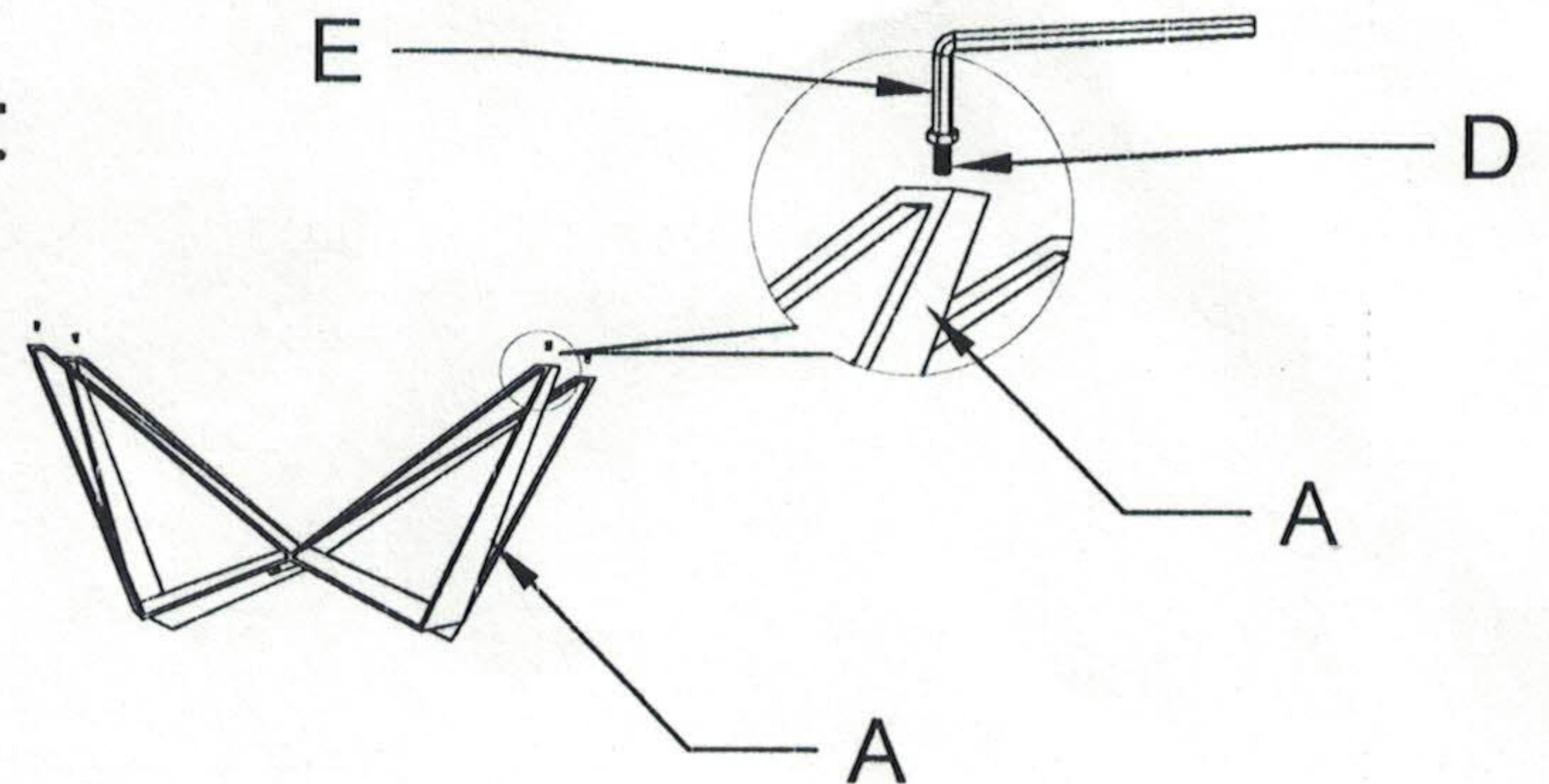
PART LIST

NO.	Designation	Quantity	Diagram
A	Stainless steel pillar	4	
B	Table top	1	
C	Fixed plate	1 2	

HARDWARE LIST

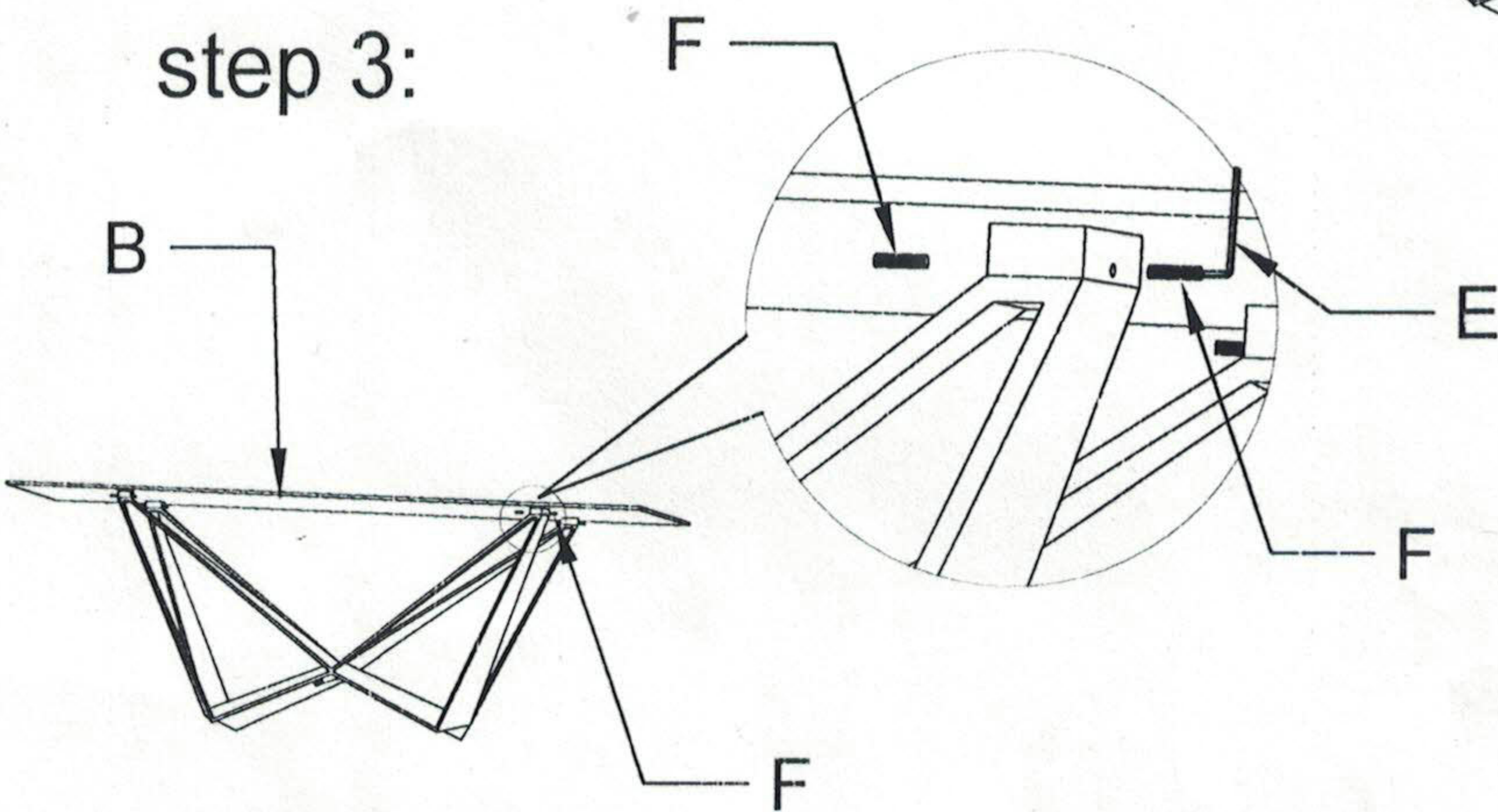
NO.	Designation	Quantity	Size	Diagram
D	Screw	16 4	M8*16 M8*20	
E	Allen key	1 1	M3 M4	
F	Studs	8	M6*10	

step 2:

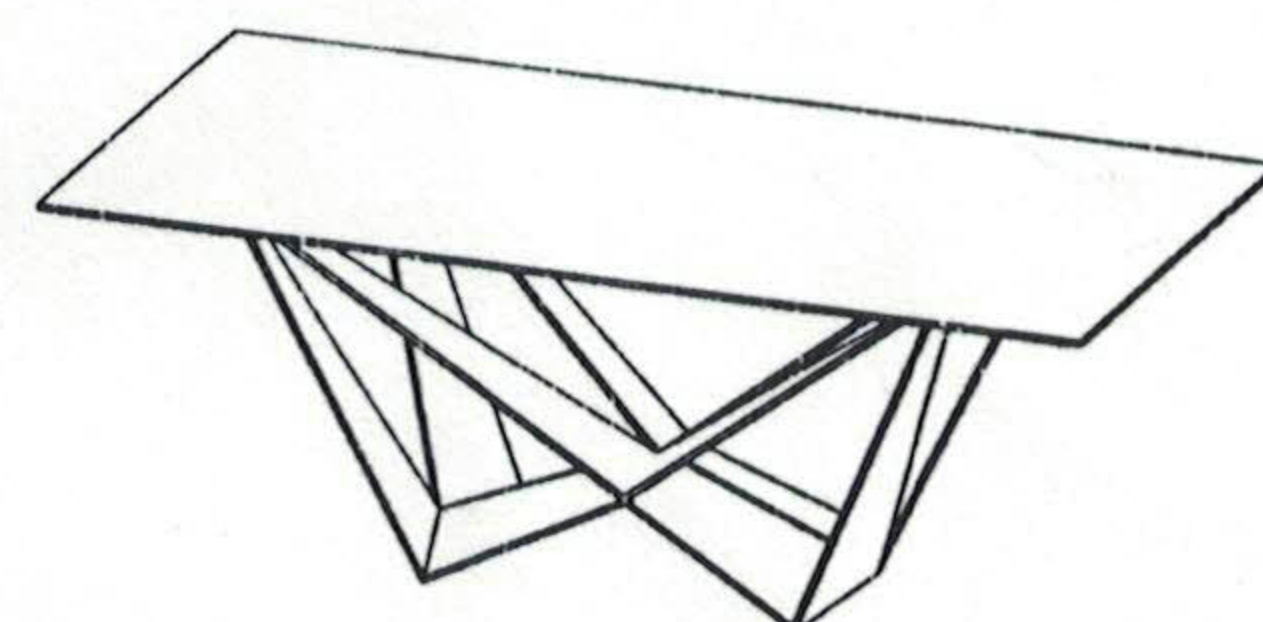


Install the Screw (D) on the top of the stainless steel pillar (A)

step 3:



Use Studs (F) to lock the aluminum cake from both sides



Finished